

Brugarolas



Industrial lubricants



LUBRICATING GREASES

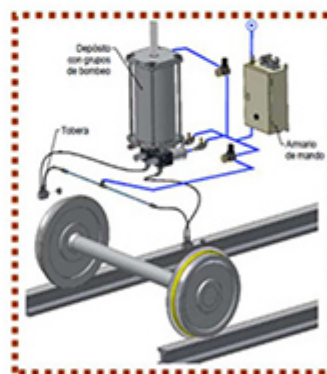
RAILWAY INDUSTRY



ROLLING STOCK - LUBRICATING GREASES

Application	Product
Pantograph lubrication	G. BESLUX CROWN H-1/R
Pantograph lubrication	G.A. CALCICA GRAF. N.3
Flap wheel lubrication	G. BESLUX GRAFOL AL FLUID
Flap wheel lubrication	G. BESLUX ALCO M-000
Flap wheel lubrication	G. BESLUX BIOGREASE M-000/G
Bearing carriage lubrication	G.A. LITICA BL-2R
Wheel-track lubrication (anti-noise)	G. BESLUX ANTINOISE RAIL
Terminal battery lubrication protector	G.A. RICINOL V


Pantograph lubrication

Wheel lubrication

Train battery

**Application system
(lubrication on wheels)**

**RAILROAD LUBRICATION - LUBRICATING GREASES**

Application	Product
Railroad switch lubrication	G. BESLUX TRIBORAIL M-000
Railroad lubrication	G. BESLUX BIOGREASE M-1/G
Railroad lubrication	G. BESLUX BIOGREASE M-2/G
Railroad lubrication	G.A. CALCICA GRAF. N.1
Railroad lubrication	G.A. CALCICA GRAF. N.2
Railroad lubrication with Clicomatic E	G. BESLUX BIOMATIC M-000/G
Railroad lubrication with Clicomatic N2	G.A. VIAS M-00/G



Railroad switch lubrication



Railroad lubrication

Device - Lubrication of railroads
(G. BESLUX BIOMATIC M-000/G)



RAILWAY INDUSTRY

The railway industry demands specially developed and designed lubricants, these must always meet the highest quality standards achievable.

Brugarolas researches, develops and manufactures top-end high quality lubricants in order to guarantee highly efficient and safe products for this sector. In order to do so, **Brugarolas** makes use of its own R+D department, with a fully-equipped laboratory and highly qualified staff, here formulations are studied and optimized in order to confront all kind of difficult working conditions given in the Railway industry.

Only a few of our products for this highly important activity are detailed in this product and application guide.

Brugarolas researches, develops, manufactures and supplies lubricants for various industrial activities tested by the highest quality control systems world-wide, meeting the following ISO standards: **IQNET ISO 9001, ISO 9001 and ISO-TS16949.**

